

Digital Video Recorder

BP 2.2 FHD

2.0" IPS Display | Motion Detection | Parking Monitor



Subject to availability and technical modification.

Sales Start

October 2021

Part Number

2 005 021 000 001

EAN Code

4 260 499 852 849

Highlights

- 2.0 Inch IPS*) -Display
- Video Resolution: 1080P (i), 720P
- 1.0 MP CMOS-Sensor with 4-layer glass lens
- 120 Grad Viewing Angle
- Support G-Sensor, Motion Detection, Loop-Recording and Parking Monitor
- Support License Plate Number Display
- Battery Capacity: 300mAh Lithium-Ion Battery
- Micro USB 2.0
- Support max. 32 GB TF-card (class 10 or above)
- CE- and ROHS certificated
- Dimensions: 61.5 (W) x 66 (H) x 33 (D) mm
- Scope of delivery: DVR, Car Holder, Car Charger, User Manual

*) IPS stands for in-plane switching, a form of LCD display panel technology. IPS LCD display is characterized as having the best color and viewing angles among the other main types of display panels.

Digital Video Recorder

BP 2.2 FHD

2.0" IPS Display | Motion Detection | Parking Monitor

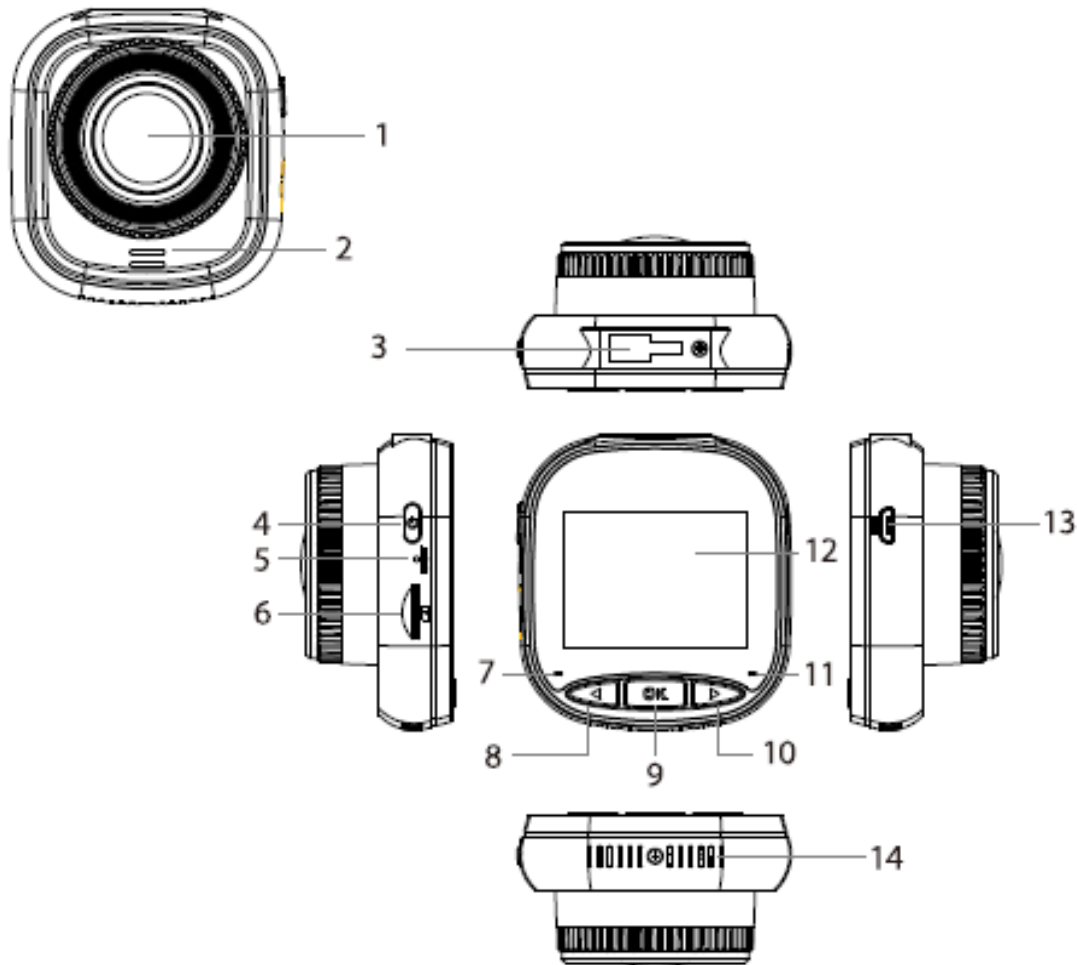
PRODUCT SPECIFICATION

CATAGORY	DEFAULT
Frequency	50HZ/60HZ
Power Port	USB 5V / 1A
Battery Capacity	300 mAH
Microphone/Speaker	Built-in
Loop Recording	Off / 30 seconds / 1 minute / 2 minutes
LCD Off	Support
Audio Record	Support
Date Stamp	Support
G-Sensor	Support
Motion Detection	Support
Parking Monitoring	Support
Car Number Display	Support
Language	English / Francais / Deutsch / Italiano / Espanol / Polski/ Russian
DVR N.W.	52g
DVR Dimension	61.5(W) × 66(H) × 33(D)mm

Digital Video Recorder

BP 2.2 FHD

2.0" IPS Display | Motion Detection | Parking Monitor



- 01. Lens
- 02. Speaker
- 03. Holder Socket
- 04. Power Key
- 05. Reset
- 06. Micro SD Card Slot
- 07. Charging Indicator Light
- 08. UP/MENU Key
- 09. OK Key
- 10. DOWN/MODE Key
- 11. Recording Indicator Light
- 12. IPS Screen
- 13. USB Power Port
- 14. Internal Heat Dissipation Provision